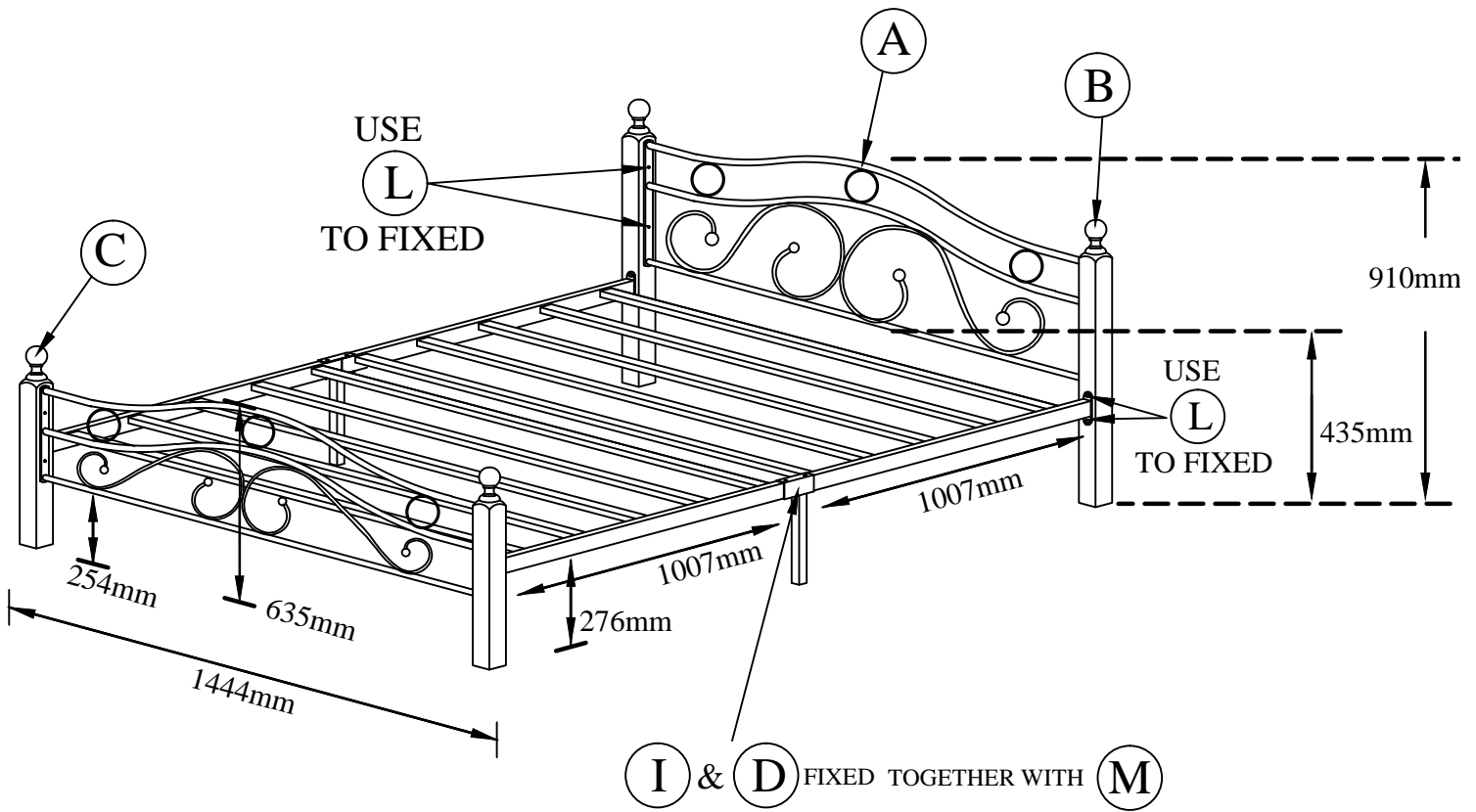
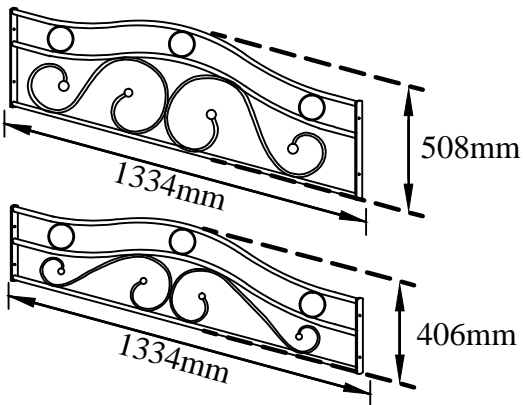


# AT 603 DOUBLE BED

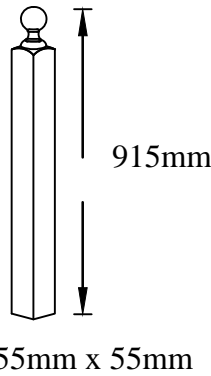


## PART LIST

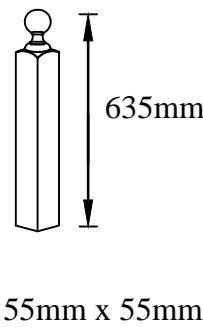
A. Headboard (1pc) & Footboard (1pc)



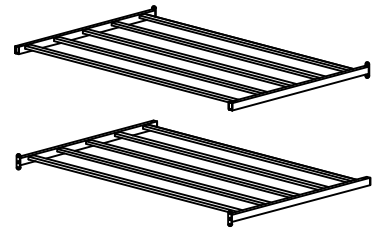
B. Woodpost "H" (2pcs)



C. Woodpost "L" (2pcs)



D. Right Metal Slat (1pc) & Left Metal Slat (1pc)



I. Side Rail Legs (2pcs)



## HARDWARE LIST

K1.		L Allen Key M4		1 pc
K2.		L Allen Key M5		1 pc
L.		M6 x 25mm Bolt	Head&Back Board & Siderail	16 pcs
M.		M8 x 70mm Bolt With Nut	Metal Slat	4 pcs